

# User Manual

## M4258 Analog Output Module

8 ch, 4-20 mA, 16 bits, cage clamp, 18 pt removable terminal

Doc ID: 240257  
2026-01-08



The information in this document is subject to change without notice and is provided as available at the time of printing. Beijer Electronics AB reserves the right to change any information without updating this publication. Beijer Electronics AB assumes no responsibility for any errors that may appear in this document. All examples in this document are only intended to improve understanding of the functionality and handling of the equipment. Beijer Electronics AB cannot assume any liability if these examples are used in real applications. In view of the wide range of applications for this software, users must acquire sufficient knowledge themselves in order to ensure that it is correctly used in their specific application. Persons responsible for the application and the equipment must themselves ensure that each application is in compliance with all relevant requirements, standards, and legislation in respect to configuration and safety. Beijer Electronics AB will accept no liability for any damage incurred during the installation or use of equipment mentioned in this document. Beijer Electronics AB prohibits all modification, changes, or conversion of the equipment.

**Head Office**

Beijer Electronics AB

Box 426

201 24 Malmö, Sweden

[www.beijerelectronics.com](http://www.beijerelectronics.com) / +46 40 358600

# Table of Contents

1. About This Manual .....	5
1.1. Safety Notices in This Manual .....	5
2. Safety .....	6
2.1. General Safety Requirements .....	6
3. Product Certifications .....	7
4. Main Parts .....	8
5. Dimensions .....	9
6. Specifications .....	10
6.1. Environmental Specifications .....	10
6.2. General Specifications .....	10
6.3. Output Specifications .....	11
7. Wiring Diagram .....	12
7.1. Required Clearance .....	13
8. LED Indicator .....	14
8.1. LED Status .....	14
8.2. Data Value / Current .....	14
9. Mapping Data into the Image Table .....	15
10. Parameter Data .....	16
11. Hardware Setup .....	17
11.1. Space Requirements .....	17
11.2. Mount to DIN-rail .....	18
11.3. Power Wiring .....	19
12. Hot Swap (Module Replacement During Operation) .....	21
12.1. Hot Swap Safety Information .....	21
12.2. Hot Swap Instructions .....	21



# 1. About This Manual

This manual describes the software and hardware features of the Beijer Electronics M4258 Analog Output Module. It provides detailed specifications and instructions for installation, setup, and operation.

## 1.1. Safety Notices in This Manual

This manual uses safety notices to highlight important information. Always read and follow these notices.



### **WARNING**

If you do not follow this notice, it can cause death, serious injury, or major damage to the product.



### **CAUTION**

If you do not follow this notice, it can damage equipment, cause data loss, or result in minor injury.



### **IMPORTANT**

Information you must know to use the product correctly.



### **NOTE**

Useful facts or conditions.



### **TIP**

Helpful information that is not essential.

## 2. Safety

Read this manual and all related manuals carefully before using the product. Always follow the safety instructions.

Beijer Electronics is not responsible for any damages caused by the use of this product.

The images, examples, and diagrams in this manual are for illustration only. Because each installation is different, Beijer Electronics cannot take responsibility for actual results based on these examples.

### 2.1. General Safety Requirements



#### WARNING

- **Never assemble or wire products with power applied to the system.** This can cause arc flash, burns, fire, flying objects, blast pressure, or heat.
- **Do not touch terminal blocks or IO modules while the system is running.** This may cause electric shock, short circuit, or malfunction.
- **Do not allow external metallic objects to touch the product** during operation. This may cause electric shock, short circuit, or malfunction.
- **Do not place the product near flammable materials.** This may cause fire.



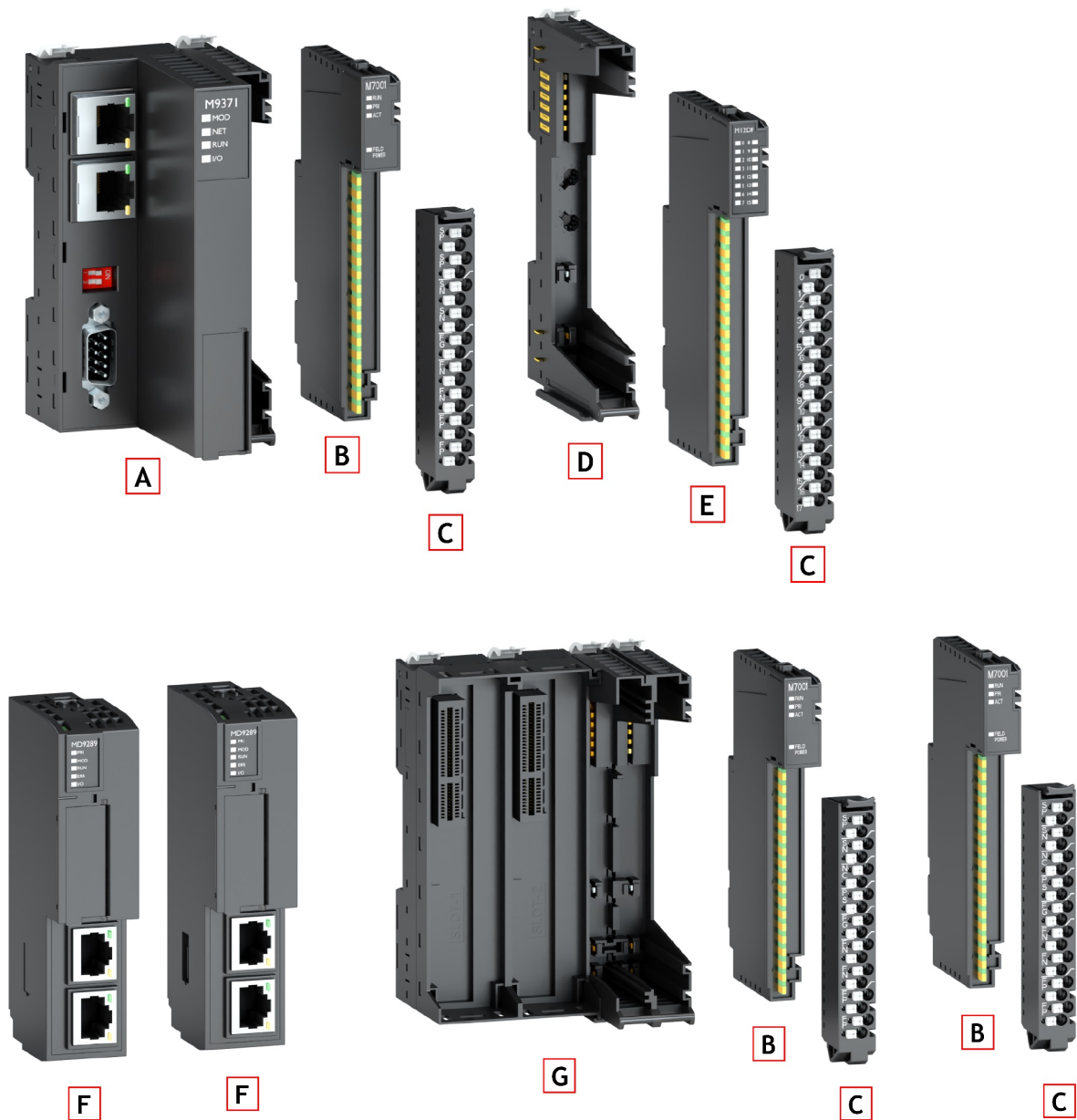
#### CAUTION

- Use the product only in **non-hazardous locations** or in **Class I, Zone 2, Groups A, B, C, and D hazardous locations**.
- Only connect **approved products** to the connectors. Do not connect other devices such as converters.
- Ground the workplace, packing, and personnel when handling the modules. Avoid touching conductive parts. The electronic components may be damaged by **electrostatic discharge (ESD)**.
- Do not expose the product to excessive vibration, see [Environmental Specifications](#) for vibration resistance.
- Follow the specifications for input and output connections.
- Do not use the product in environments **above 60 °C** or in direct sunlight.
- Do not use the product in environments with **humidity above 90%**.
- Use the product only in environments with **Pollution Degree 2 or lower** (defined in **EN 60664-1**).
- Make sure transient disturbances do not exceed **140% of the rated voltage**.
- Install the product in an enclosure with a protection rating of **at least IP54**, according to **EN 60079-7**.
- When used in hazardous locations, make sure the **enclosure is certified** for the intended area classification.
- Install the product in an enclosure with a door or cover that requires a tool to open.

## 3. Product Certifications

For product certifications, visit the **Resources** section on the [M-series product pages](#).

## 4. Main Parts



- A. Single network adapter module with backplane for Power module
- B. Main block (Power module)
- C. Removable terminal block
- D. Backplane for Input/Output, Special and Power modules
- E. Main block (Digital input module)
- F. Main block (Dual network adapter module)
- G. Backplane for Dual network adapter modules and Power modules

## 5. Dimensions



Module dimensions (mm)



## 6. Specifications

### 6.1. Environmental Specifications

Operating temperature	-20°C - 60°C
UL temperature	-20°C - 60°C
Storage temperature	-40°C - 85°C
Relative humidity	5% - 90% non-condensing
Mounting	DIN rail
Shock operating	IEC 60068-2-27 (15 g)
Vibration resistance	IEC 60068-2-6 (4 g)
Industrial emissions	EN 61000-6-4: 2019
Industrial immunity	EN 61000-6-2: 2019
Installation position	Vertical and horizontal
Product certifications	Visit the <b>Resources</b> section on the <a href="#">M-series product pages</a> .

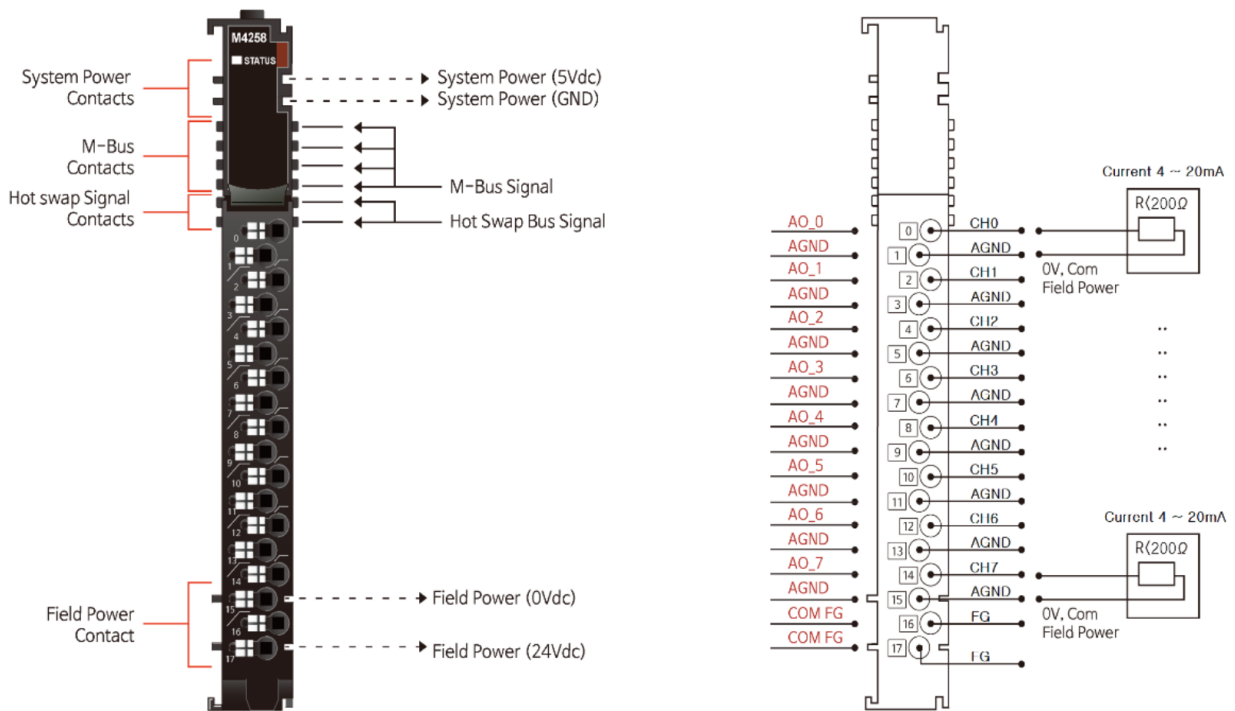
### 6.2. General Specifications

Power dissipation	Max. 30 mA at 5 VDC
Isolation	I/O to Logic: Photocoupler isolation Field power: Non-isolation
UL field power	24 VDC nominal, Class 2 (Class 2 adjacent to voltage rating, max. 30 V)
Field power	Supply voltage: 24 VDC nominal Voltage range: 18 - 28.8 VDC Power dissipation: Max. 130 mA at 24 VDC
Single wire	0.205 mm <sup>2</sup> - 1.3 mm <sup>2</sup> (24-16 AWG)
Torque	0.8 Nm (7 lb-in)
Weight	72 g
Module dimensions	See <a href="#">Dimensions</a> .
Hot swap	Supported, see <a href="#">Hot Swap (Module Replacement During Operation)</a> .

### 6.3. Output Specifications

<b>Outputs per module</b>	8 channels (single ended)
<b>Indicators (logic side)</b>	1 green M-bus status
<b>Resolution in ranges</b>	16 bit (with sign): • 15 bits: 0.49 $\mu$ A/Bit
<b>Output range</b>	4 - 20 mA
<b>Data format</b>	16 bits integer (two's complement)
<b>Module error</b>	$\pm$ 0.1% full scale at 25°C ambient $\pm$ 0.3% full scale at -25°C - 60°C
<b>Load resistance</b>	<200 $\Omega$
<b>Diagnostic</b>	Field power off: LED blinking Field power on: LED on
<b>Conversion time</b>	Max. 250 $\mu$ s (all channels)
<b>Calibration</b>	Not required
<b>Common type</b>	8 common channels; field power 0 V is common (AGND)

# 7. Wiring Diagram



Pin no.	Description
0	Output channel 0
1	Output channel common (AGND)
2	Output channel 1
3	Output channel common (AGND)
4	Output channel 2
5	Output channel common (AGND)
6	Output channel 3
7	Output channel common (AGND)
8	Output channel 4
9	Output channel common (AGND)
10	Output channel 5
11	Output channel common (AGND)
12	Output channel 6
13	Output channel common (AGND)
14	Output channel 7
15	Output channel common (AGND)
16	COM F.G.
17	COM F.G.

## 7.1. Required Clearance

Maintain the following minimum spacing between:

- Uninsulated live parts of opposite polarity.
- Uninsulated live parts and any grounded part, including mounting surfaces or exposed metal parts.

RTB type	Through air	Over surface	CTI*
RTB18C	1.5 mm	1.5 mm	$175 \leq \text{CTI} \leq 400$

\* Defines the relationship between the Comparative Tracking Index of an insulating material and the required clearance (or creepage) between conductors in electrical applications or on a printed circuit board (PCB).

## 8. LED Indicator



LED	Description	Color
STATUS	M-bus status	Green

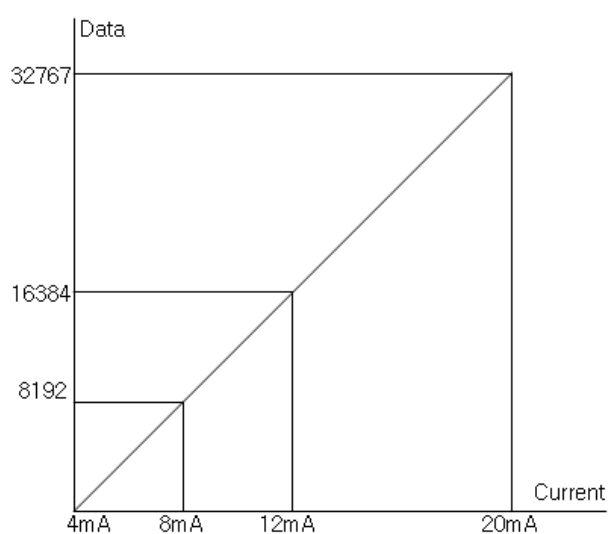
### 8.1. LED Status

Status	LED state	Description
M-bus status	Off	No connection
	Green	Connected
Field power error	Blinking	Field power is not connected

### 8.2. Data Value / Current

#### 8.2.1. Current Range: 4 - 20 mA

Current	4 mA	8 mA	12 mA	20 mA
Data(Hex)	H0000	H2000	H4000	H7FFF



## 9. Mapping Data into the Image Table

### Output image value

Bit no.	Bit7	Bit6	Bit5	Bit4	Bit3	Bit2	Bit1	Bit0
Byte 0	Analog output Ch 0 low byte							
Byte 1	Analog output Ch 0 high byte							
Byte 2	Analog output Ch 1 low byte							
Byte 3	Analog output Ch 1 high byte							
Byte 4	Analog output Ch 2 low byte							
Byte 5	Analog output Ch 2 high byte							
Byte 6	Analog output Ch 3 low byte							
Byte 7	Analog output Ch 3 high byte							
Byte 8	Analog output Ch 4 low byte							
Byte 9	Analog output Ch 4 high byte							
Byte 10	Analog output Ch 5 low byte							
Byte 11	Analog output Ch 5 high byte							
Byte 12	Analog output Ch 6 low byte							
Byte 13	Analog output Ch 6 high byte							
Byte 14	Analog output Ch 7 low byte							
Byte 15	Analog output Ch 7 high byte							



### Output module data (16 byte)

Analog output Ch 0
Analog output Ch 1
Analog output Ch 2
Analog output Ch 3
Analog output Ch 4
Analog output Ch 5
Analog output Ch 6
Analog output Ch 7

## 10. Parameter Data

- Valid parameter length: 4 bytes

Bit no.	Bit 7	Bit 6	Bit 5	Bit 4	Bit 3	Bit 2	Bit 1	Bit 0
<b>Byte 0</b>	Fault action for Ch 3 *		Fault action for Ch 2 *		Fault action for Ch 1 *		Fault action for Ch 0 *	
<b>Byte 1</b>	Fault action for Ch 7 *		Fault action for Ch 6 *		Fault action for Ch 5 *		Fault action for Ch 4 *	
<b>Byte 2</b>	Fault value (low byte)							
<b>Byte 3</b>	Fault value (high byte)							
* 00: Fault value, 01: Hold last state, 10: Low limit, 11: High limit								

# 11. Hardware Setup

This section describes how to install the M-series modules.



## WARNING

Always read the [General Safety Requirements](#) before installation.

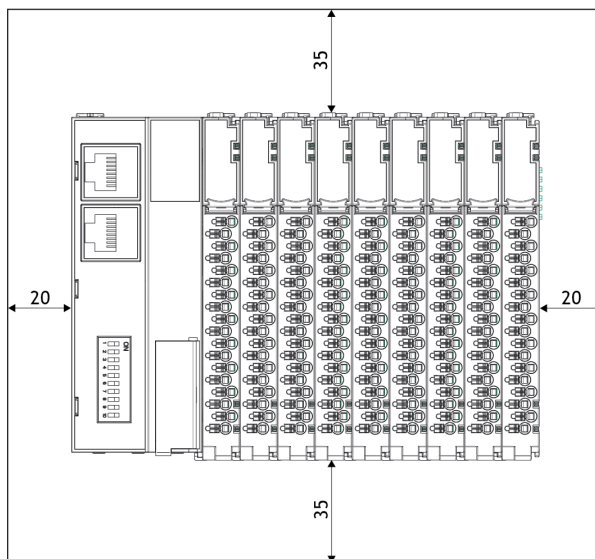
## 11.1. Space Requirements

The following drawings show the space requirements when installing the M-series modules. The spacing creates space for ventilation, and prevents conducted electromagnetic interference from influencing the operation. Installation position is valid vertical and horizontal. The drawings are illustrative and may be out of proportion.

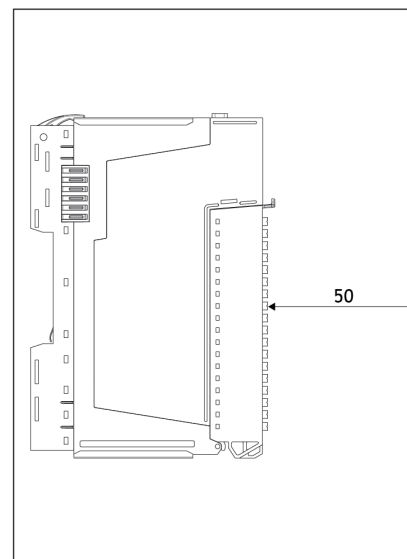


## CAUTION

Not following the space requirements may result in damaging the product.



Vertical and horizontal space requirements (mm)

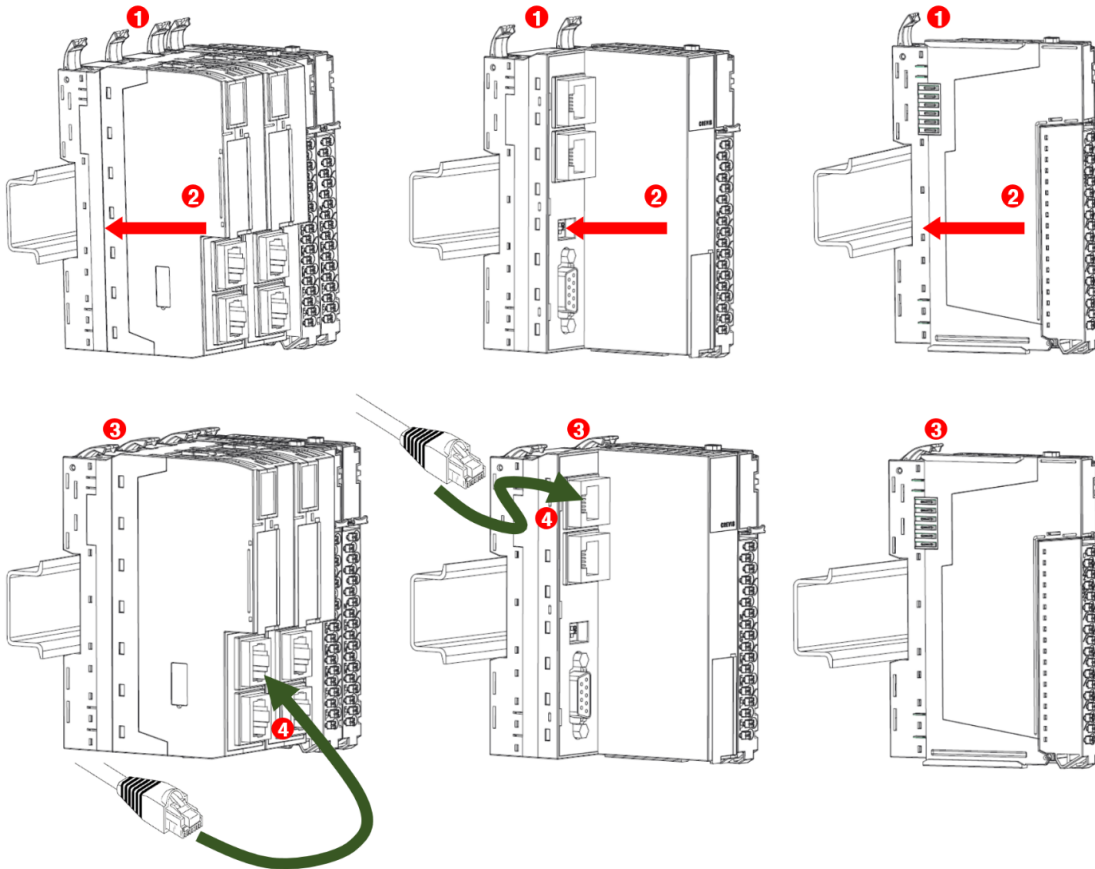


Required distance to door (mm)

## 11.2. Mount to DIN-rail

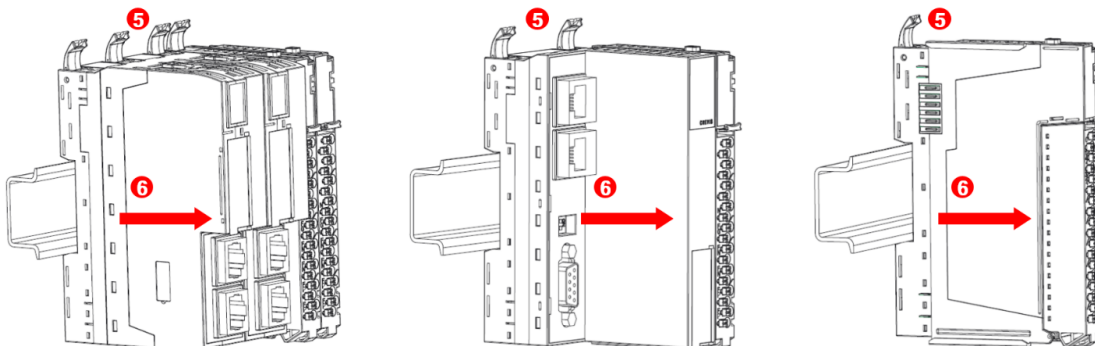
This chapter describes how to mount and unmount the module on the DIN rail.

### Mounting steps



1. Unlock the DIN rail lock.
2. Push the module onto the DIN rail.
3. Lock the DIN rail lock to secure the module.
4. Connect the communication cable

### Unmounting steps



1. Unlock the DIN rail lock.
2. Pull the module away from the DIN rail.

## 11.3. Power Wiring

Each network adapter requires **both system power and field power**.

- **System power** supplies the system and Modbus TCP connection.
- **Field power** supplies the I/O connection.

For detailed power wiring instructions, refer to the [power module user manual](#).

### 11.3.1. Power Wiring Safety Information



#### WARNING

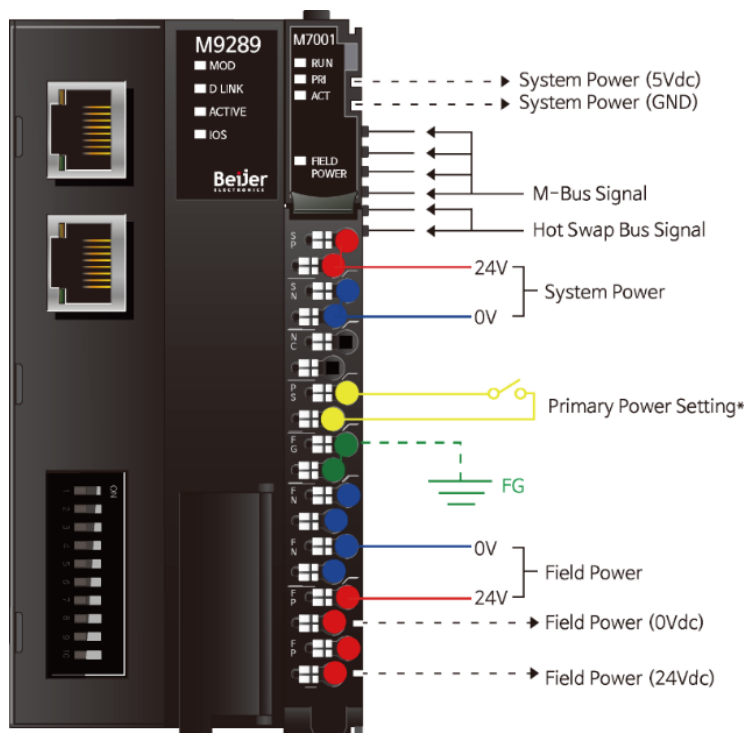
Only a qualified electrical engineer may perform power wiring.



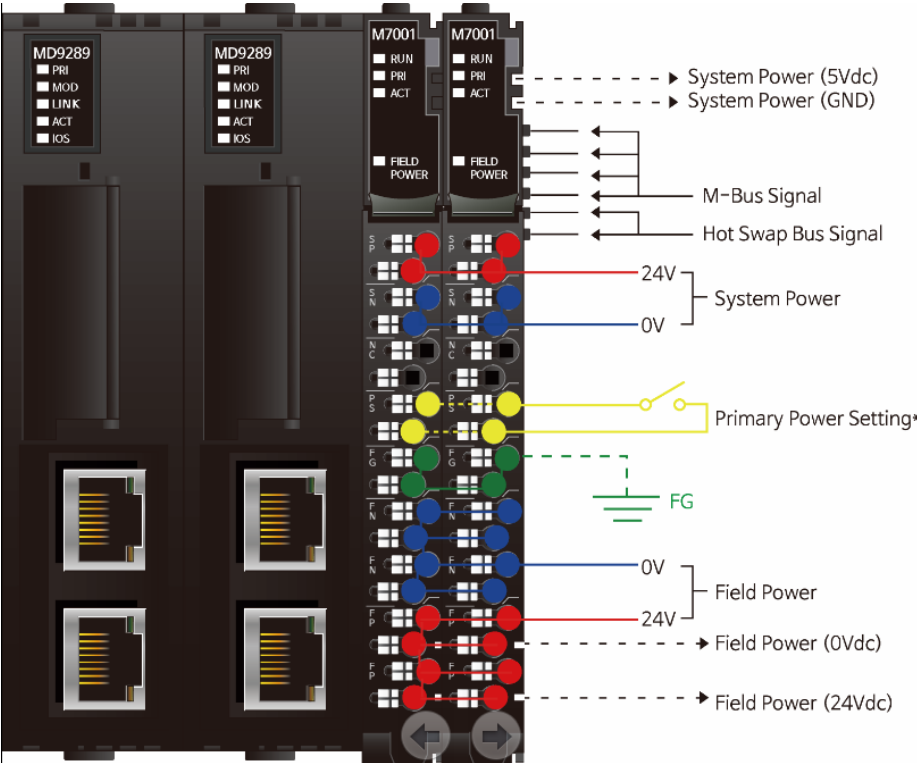
#### CAUTION

- Always use standard cables.
- Insulate all unshielded wires with tape to prevent short circuits.
- Always keep system power and field power separate.
- When installing M-series modules in **marine environments**, connect a separate noise filter to the power supply. For more information, see the [M7151 Noise Filter Module](#) user manual.
- When using multiple power modules, short the **Primary Power Setting** to define one power module as the primary power module.

### 11.3.2. Power Wiring Setup Examples



Single network adapter with one power module



Dual network adapter with two power modules

## 12. Hot Swap (Module Replacement During Operation)

The M-series supports **hot swap**, allowing you to replace a module's **main block** without shutting down the system.

- If one **input or output module** fails, the other modules continue communication. When the faulty module is restored or replaced, full communication resumes.
- If one **power module** fails, the remaining power modules (if available) continue normal operation.
- In a **dual network adapter (MD9XXX)**, if one network adapter fails, the other continues to operate and protects the system.



### NOTE

Hot swap is **not supported** for single network adapters (M9XXX) or programmable IO modules (M9XXX).

### 12.1. Hot Swap Safety Information



### WARNING

- Always read the **General Safety Requirements** before performing hot swap.
- Removing the main block may generate sparks. **Do not** perform hot swaps in potentially explosive environments.
- Dangerous contact voltage may exist on connected I/O wiring. Before performing a hot swap, make sure **no external voltage** is present on the module's terminal connections. **Do not** touch live terminals during replacement.
- If a hot swap can cause a dangerous machine state, **disconnect the machine from power** before replacement.



### IMPORTANT

- Removing or inserting a main block **may** place other modules in an **undefined state**.
- Replace main blocks **one at a time**. If more than one main block is removed, reinsert them one by one, starting with the lowest slot number.

### 12.2. Hot Swap Instructions

The hot swap procedure **varies depending on the module type**.

See the chapters below for instructions.

#### 12.2.1. Hot Swap (I/O, Special, or Power Modules)

This chapter describes how to **hot swap** the main block on the following module types:

- Digital input modules (M1XXX)
- Digital output modules (M2XXX)

- Analog input modules (M3XXX)
- Analog output modules (M4XXX)
- Special modules (M5XXX)
- Power modules (M7XXX)

### Replacement procedure

1. Unlock the removable terminal block (RTB).



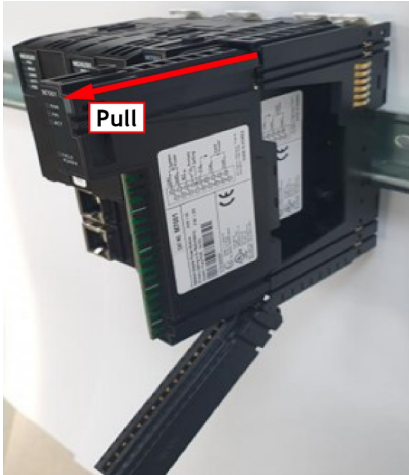
2. Open the RTB to at least 90°.



3. Press the button on the top of the module frame.



4. Pull the main block straight out of the frame.



5. Hold the new main block by the head and carefully slide it into the backplane.
6. Reconnect the RTB.

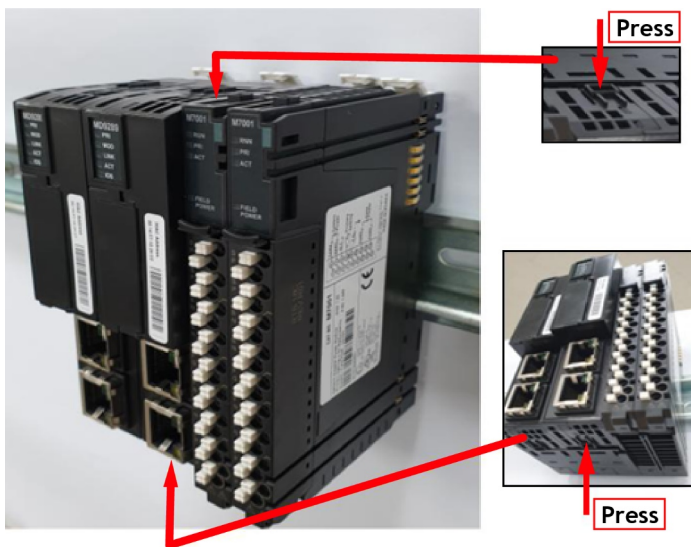
### 12.2.2. Hot Swap (Dual Network Adapters)

This chapter describes how to **hot swap** the main block on the following module types:

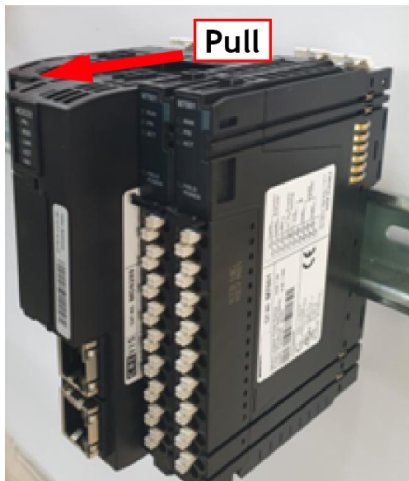
- Dual network adapters (MD9XXX)

#### Replacement procedure

1. Press on top and bottom of the dual network adapter module frame.



2. Pull the main block straight out of the frame.



3. To insert, hold the new main block by the top and bottom, and carefully slide it into the backplane.