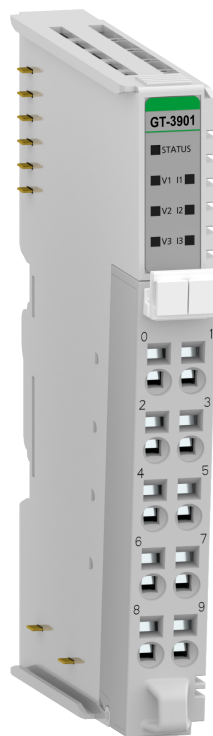


User Manual

GT-3901 Analog Input Module

1 ch 3-phase AC measurement, Lx-Ly 500 VAC, 1 A, 12 bit resolution, cage clamp, not removable terminal

Doc ID: 80644
2026-03-05



The information in this document is subject to change without notice and is provided as available at the time of printing. Beijer Electronics AB reserves the right to change any information without updating this publication. Beijer Electronics AB assumes no responsibility for any errors that may appear in this document. All examples in this document are only intended to improve understanding of the functionality and handling of the equipment. Beijer Electronics AB cannot assume any liability if these examples are used in real applications. In view of the wide range of applications for this software, users must acquire sufficient knowledge themselves in order to ensure that it is correctly used in their specific application. Persons responsible for the application and the equipment must themselves ensure that each application is in compliance with all relevant requirements, standards, and legislation in respect to configuration and safety. Beijer Electronics AB will accept no liability for any damage incurred during the installation or use of equipment mentioned in this document. Beijer Electronics AB prohibits all modification, changes, or conversion of the equipment.

Head Office

Beijer Electronics AB

Box 426

201 24 Malmö, Sweden

www.beijerelectronics.com / +46 40 358600

Table of Contents

1. About This Manual	5
1.1. Symbols Used in This Manual	5
2. Safety	6
2.1. Product Certifications	6
2.2. General Safety Requirements	6
3. About the G-series System	7
3.1. IO Process Data Mapping	8
4. Specifications	9
4.1. Environment Specifications	9
4.2. General Specifications	9
4.3. Input Specifications	10
4.4. Update Cycle of Process Data	11
5. Wiring Diagram	12
6. LED Indicator	13
6.1. LED Channel Status	13
7. Mapping Data Into the Image Table	14
7.1. Input Image Value	15
7.2. Output Image Value	16
8. Parameter Data	19
9. Hardware Setup	22
9.1. Space Requirements	22
9.2. Mount Module to DIN Rail	23

1. About This Manual

This manual contains information on the software and hardware features of the Beijer Electronics GT-3901 Analog Input Module. It provides in-depth specifications, guidance on installation, setup, and usage of the product.

1.1. Symbols Used in This Manual

This publication includes Warning, Caution, Note and Important icons where appropriate, to point out safety-related, or other important information. The corresponding symbols should be interpreted as follows:



WARNING

Indicates a potentially hazardous situation which, if not avoided, could result in death or serious injury, and major damage to the product.



CAUTION

Indicates a potentially hazardous situation which, if not avoided, could result in minor or moderate injury, and moderate damage to the product.



IMPORTANT

Highlights key information.



NOTE

Points out relevant facts and conditions.



TIP

Provides useful, non-essential information to assist you.

2. Safety

Before using this product, please read this manual and other relevant manuals carefully. Pay full attention to safety instructions!

In no event will Beijer Electronics be responsible or liable for damages resulting from the use of this product.

The images, examples and diagrams in this manual are included for illustrative purposes. Because of the many variables and requirements associated with any particular installation, Beijer Electronics cannot take responsibility or liability for actual use based on the examples and diagrams.

2.1. Product Certifications

The product has the following product certifications.



2.2. General Safety Requirements



WARNING

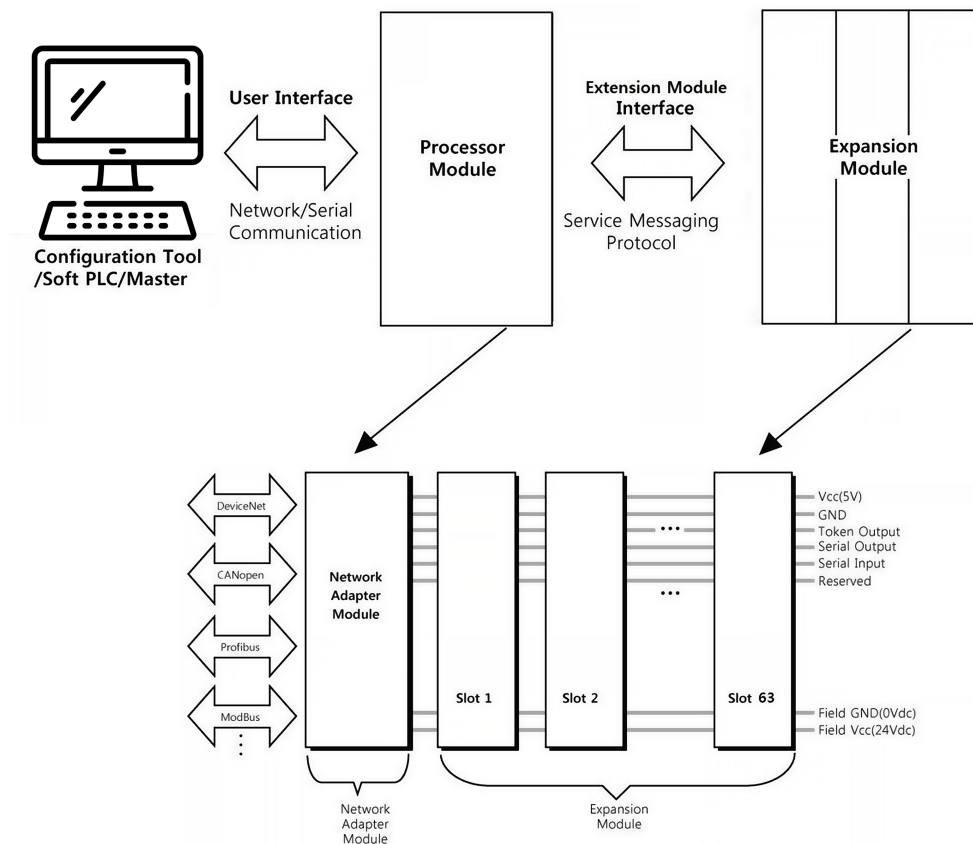
- Do not assemble the products and wires with power connected to the system. Doing so cause an "arc flash", which can result in unexpected dangerous events (burns, fire, flying objects, blast pressure, sound blast, heat).
- Do not touch terminal blocks or IO modules when the system is running. Doing so may cause electric shock, short circuit or malfunction of the device.
- Never let external metallic objects touch the product when the system is running. Doing so may cause electric shock, short circuit or malfunction of the device.
- Do not place the product near inflammable material. Doing so may cause a fire.
- All wiring work should be performed by an electrical engineer.
- When handling the modules, ensure that all persons, the workplace and the packing are well grounded. Avoid touching conductive components, the modules contain electronic components that may be destroyed by electrostatic discharge.



CAUTION

- Never use the product in environments with temperature over 60°C. Avoid placing the product in direct sunlight.
- Never use the product in environments with over 90% humidity.
- Always use the product in environments with pollution degree 1 or 2.
- Use standard cables for wiring.

3. About the G-series System

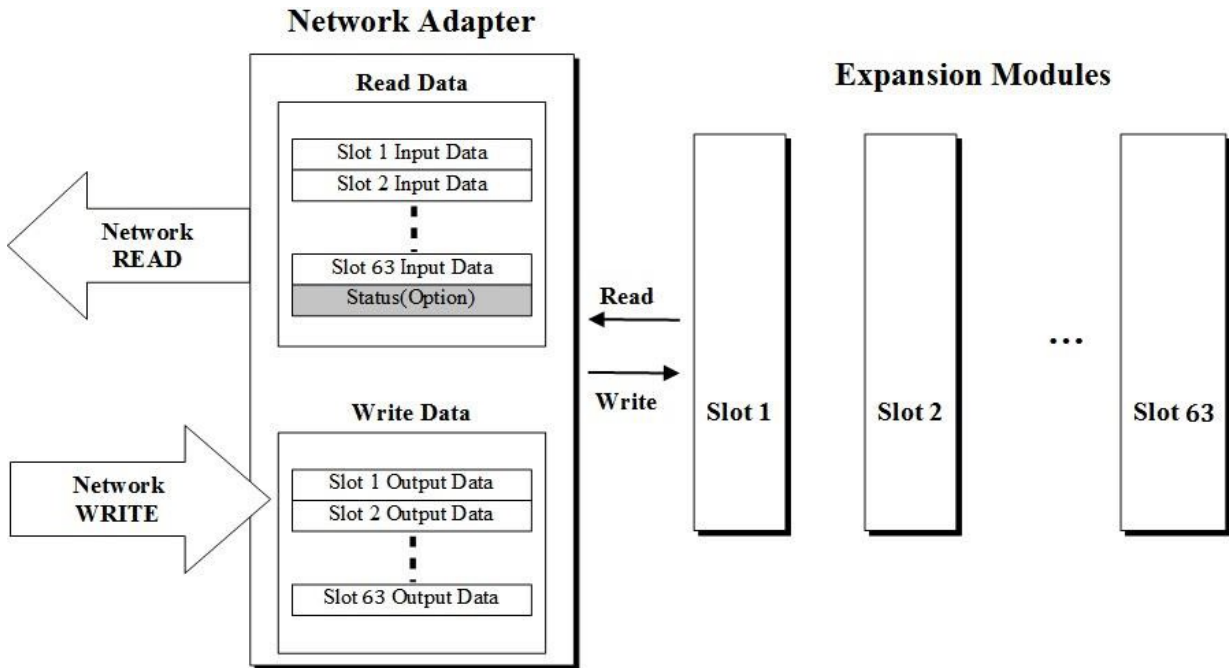


System overview

- **Network Adapter Module** - The network adapter module forms the link between the field bus and the expansion modules. The connection to different field bus systems can be established by each of the corresponding network adapter module, e.g., for MODBUS TCP, Ethernet IP, EtherCAT, PROFINET, CC-Link IE Field, PROFIBUS, CANopen, DeviceNet, CC-Link, MODBUS/Serial etc.
- **Expansion Module** - Expansion module types: Digital IO, Analog IO, and Special modules.
- **Messaging** - The system uses two types of messaging: Service messaging and IO messaging.

3.1. IO Process Data Mapping

An expansion module has three types of data: IO data, configuration parameter, and memory register. The data exchange between the network adapter and the expansion modules is made via IO process image data by internal protocol.



Data flow between network adapter (63 slots) and expansion modules

The input and output image data depend on the slot position and the data type of the expansion slot. The ordering of input and output process image data is based on the expansion slot position. Calculations for this arrangement are included in the manuals for network adapter and programmable IO modules.

Valid parameter data depends on the modules in use. For example, analog modules have settings of either 0-20 mA or 4-20 mA, and temperature modules have settings such as PT100, PT200, and PT500. The documentation for each module provides a description of the parameter data.

4. Specifications

4.1. Environment Specifications

Operating temperature	-20°C - 60°C
UL temperature	-20°C - 60°C
Storage temperature	-40°C - 85°C
Relative humidity	5% - 90% non-condensing
Mounting	DIN rail
Shock operating	IEC 60068-2-27 (15 g)
Vibration resistance	IEC 60068-2-6 (4 g)
Industrial emissions	EN 61000-6-4: 2019
Industrial immunity	EN 61000-6-2: 2019
Installation position	Vertical and horizontal
Product certifications	CE, FCC

4.2. General Specifications

Power dissipation	Max. 130 mA @ 5 VDC
Isolation	I/O to Logic: Photocoupler isolation Field power: Non-isolation
Field power	Supply voltage: 24 VDC nominal Voltage range: 18 - 30 VDC Power dissipation: 0 mA @ 24 VDC
Wiring	I/O cable max. 2.0mm ² (AWG 14)
Weight	63 g
Module size	12 mm x 99 mm x 70 mm

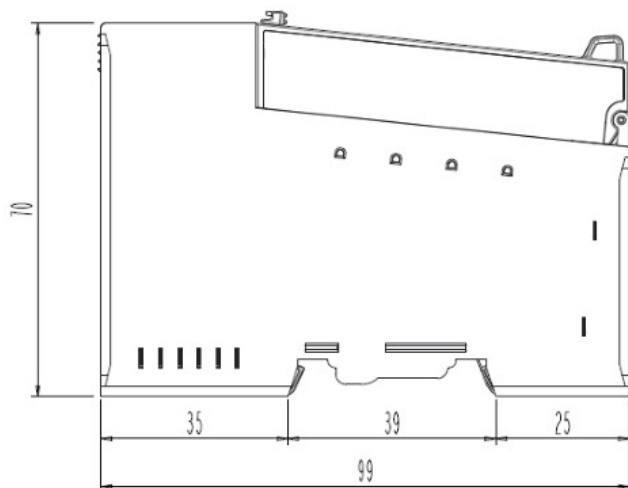


NOTE

The measuring accuracy is reduced, if the extended temperature range is used (-40 - 70 °C).

If the input value is small, the error of calculation value can be large (please input 10% or more of the whole range).

4.2.1. Dimensions



Module dimensions (mm)

4.3. Input Specifications

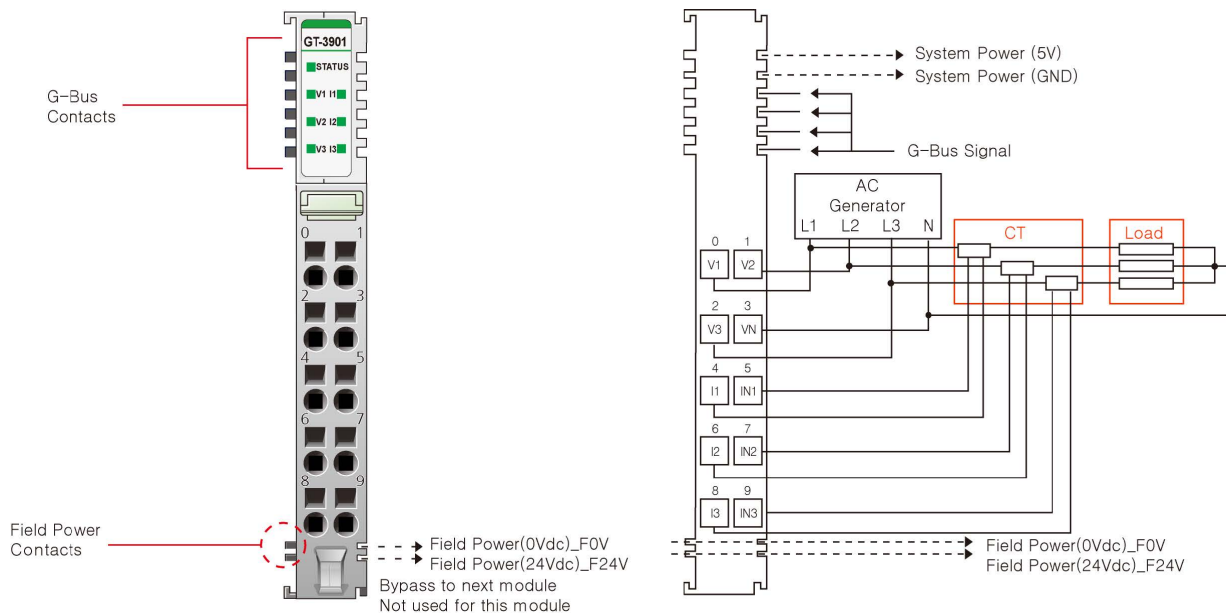
Number of channels	3 Ch voltage input, 3 Ch current input via CT
Indicators	Status, VL1, VL2, VL3, IL1, IL2, IL3
Maximum input voltage range	$V_{LN} = 288 \text{ VAC}$ $V_{LL} = 500 \text{ VAC}$
UL certified voltage range	$V_{LN} = 240 \text{ VAC}$
Input resistance voltage path	1200 k Ω
Measuring current	1 A (max.) CT 1: 4000 (max.)
Input resistance current path	30 m Ω
Resolution	24 bits
Input frequency range	45 - 65 Hz
Measured values	Angle, Voltage, Current, Power, Energy, Frequency, Power Factors

Measuring error	Voltage & current: 0.5 % @ -20 - 50 °C
	Voltage & current: 1 % @ -20 - 60 °C
	Voltage & current: 1.5 % @ -40 - 70 °C
	Frequency: ± 0.1 Hz
	Phase angle: ± 0.6 °

4.4. Update Cycle of Process Data

Read data	Update time
	Max
RMS voltage	300 us
Max. RMS voltage	300 us
Min. RMS voltage	300 us
RMS current	300 us
Max. RMS current	300 us
Min. RMS current	300 us
Apparent power	250 us
Active power	350 us
Max. active power	350 us
Min active power	350 us
Reactive power	2000 us
Apparent energy	100 ms
Total apparent energy	100 ms
Active energy	100 ms
Total active energy	100 ms
Reactive energy	100 ms
Total reactive energy	100 ms
cos phi	200 us
Supply network frequency	200 us
Max. supply network frequency	200 us
Min. supply network frequency	200 us
Phase angle phi	300 us

5. Wiring Diagram



Pin no.	Signal description
0	Voltage input 0 (L1)
1	Voltage input 1 (L2)
2	Voltage input 2 (L3)
3	Voltage input common (neutral)
4	Current input L1
5	Current input N1
6	Current input L2
7	Current input N1
8	Current input L3
9	Current input N3

6. LED Indicator



LED	LED function / description	LED color
STATUS	Status	Green
V1	Voltage input channel 1	Green
I1	Current input channel 1	Green
V2	Voltage input channel 2	Green
I2	Current input channel 2	Green
V3	Voltage input channel 3	Green
I3	Current input channel 3	Green

6.1. LED Channel Status

Status	LED	Indicates
Over voltage	Voltage input LED: Off	Error occurred
	Voltage input LED: Green	Normal operation
Under voltage	Voltage input LED: Off	Error occurred
	Voltage input LED: Green	Normal operation
Over current	Current input LED: Off	Error occurred
	Current input LED: Green	Normal operation
No signal	Voltage input LED: Off Current input LED: Off	Error occurred
	Voltage input LED: Green Current input LED: Green	Normal operation
G-Bus status	Status LED: Off	Disconnection
	Status LED: Green	Connection

* Please refer to Input Image Data.(Error Byte)

7. Mapping Data Into the Image Table

Byte	Output data	Input data
0	Control byte 0	Status byte 0
1	Control byte 1	Status byte 1
2	Control byte 2	Status byte 2
3	Control byte 3	Status byte 3
4	Not used	Error byte 0
5		Error byte 1
6		Error byte 2
7		Reserved
8		Process value 0
9		
10		
11		
12		
13		Process value 1
14		
15		
16		
17		Process value 2
18		
19		
20		Process value 3
21		
22		
23		

7.1. Input Image Value

Status bytes

Status byte x							
Bit 7	Bit 6	Bit 5	Bit 4	Bit 3	Bit 2	Bit 1	Bit 0
Reset	Measure select			CON_ID			
Reset		Resetting all min / max / energy values. Note! Only included in Status byte 0.					
Measure select		0 = Voltage 1 = Current 2 = Power 3 = PF 4 = Phase angle 5 = Frequency 6 = Energy 7 = Reserved					
CON_ID		CON_ID					

Error bytes

Error byte 0							
Bit 7	Bit 6	Bit 5	Bit 4	Bit 3	Bit 2	Bit 1	Bit 0
ERR_VL2	VL2_Error code			ERR_VL1	VL1_Error code		
ERR_VL1		Phase 1 voltage input error 0 = OK 1 = Error occurred					
ERR_VL2		Phase 2 voltage input error 0 = OK 1 = Error occurred					
Error byte 1							
Bit 7	Bit 6	Bit 5	Bit 4	Bit 3	Bit 2	Bit 1	Bit 0
ERR_IL1	IL1_Error code			ERR_VL3	VL3_Error code		
ERR_VL3		Phase 3 voltage input error 0 = OK 1 = Error occurred					
ERR_IL1		Phase 1 current input error 0 = OK 1 = Error occurred					
Error byte 2							
Bit 7	Bit 6	Bit 5	Bit 4	Bit 3	Bit 2	Bit 1	Bit 0
ERR_IL3	IL3_Error code			ERR_IL2	IL2_Error code		

ERR_IL2	Phase 2 current input error 0 = OK 1 = Error occurred
ERR_IL3	Phase 3 current input error 0 = OK 1 = Error occurred
Error code	0 = No error 1 = Over input 2 = Under input 3 = No connect

Process value bytes

Process value x							
Bit 7	Bit 6	Bit 5	Bit 4	Bit 3	Bit 2	Bit 1	Bit 0
Process value x[31 : 0]		Process value x of Status byte x					

7.2. Output Image Value

Control bytes

Control byte x							
Bit 7	Bit 6	Bit 5	Bit 4	Bit 3	Bit 2	Bit 1	Bit 0
Reset	Measure select			CON_ID			
Reset	Resetting all min / max / energy values. Note! Only included in Control byte 0 .						
Measure select	0 = Voltage 1 = Current 2 = Power 3 = PF 4 = Phase angle 5 = Frequency 6 = Energy 7 = Reserved						
CON_ID	CON_ID						

7.2.1. CON_ID

CON_ID	Measure select = Voltage	Data type	Scaling
0x00	RMS voltage L1-N	uint32	0.01 V
0x01	RMS voltage L2-N	uint32	0.01 V
0x02	RMS voltage L3-N	uint32	0.01 V
0x03	Max. RMS voltage L1-N	uint32	0.01 V

0x04	Max. RMS voltage L2-N	uint32	0.01 V
0x05	Max. RMS voltage L3-N	uint32	0.01 V
0x06	Min. RMS voltage L1-N	uint32	0.01 V
0x07	Min. RMS voltage L2-N	uint32	0.01 V
0x08	Min. RMS voltage L3-N	uint32	0.01 V
CON_ID	Measure select = Current	Data type	Scaling
0x00	RMS Current L1-N	uint32	0.001 A
0x01	RMS Current L2-N	uint32	0.001 A
0x02	RMS Current L3-N	uint32	0.001 A
0x03	Max. RMS Current L1-N	uint32	0.001 A
0x04	Max. RMS Current L2-N	uint32	0.001 A
0x05	Max. RMS Current L3-N	uint32	0.001 A
0x06	Min. RMS Current L1-N	uint32	0.001 A
0x07	Min. RMS Current L2-N	uint32	0.001 A
0x08	Min. RMS Current L3-N	uint32	0.001 A
CON_ID	Measure select = Power	Data type	Scaling
0x00	Apparent power L1	uint32	0.01VA
0x01	Apparent power L2	uint32	0.01VA
0x02	Apparent power L3	uint32	0.01VA
0x03	Active power L1	int32	0.01W
0x04	Active power L2	int32	0.01W
0x05	Active power L3	int32	0.01W
0x06	Max. active power L1	int32	0.01W
0x07	Max. active power L2	int32	0.01W
0x08	Max. active power L3	int32	0.01W
0x09	Min. active power L1	int32	0.01W
0x0A	Min. active power L2	int32	0.01W
0x0B	Min. active power L3	int32	0.01W
0x0C	Reactive power L1	int32	0.01VAR
0x0D	Reactive power L2	int32	0.01VAR
0x0E	Reactive power L3	int32	0.01VAR
CON_ID	Measure select = Energy	Data type	Scaling
0x00	Apparent energy L1	uint32	Changed according to parameter
0x01	Apparent energy L2	uint32	
0x02	Apparent energy L3	uint32	
0x03	Total apparent energy	uint32	
0x04	Active energy L1	int32	
0x05	Active energy L2	int32	
0x06	Active energy L3	int32	
0x07	Total active energy	int32	
0x08	Reactive energy L1	int32	

0x09	Reactive energy L2	int32	
0x0A	Reactive energy L3	int32	
0x0B	Total reactive energy	int32	
CON_ID	Measure select = Power factor	Data type	Scaling
0x00	Power factor L1	int32	0.01
0x01	Power factor L2	int32	0.01
0x02	Power factor L3	int32	0.01
CON_ID	Measure Select = Frequency	Data type	Scaling
0x00	Supply network frequency L1	uint32	0.01 Hz
0x01	Supply network frequency L2	uint32	0.01 Hz
0x02	Supply network frequency L3	uint32	0.01 Hz
0x03	Max. supply network frequency L1	uint32	0.01 Hz
0x04	Max. supply network frequency L2	uint32	0.01 Hz
0x05	Max. supply network frequency L3	uint32	0.01 Hz
0x06	Min. supply network frequency L1	uint32	0.01 Hz
0x07	Min. supply network frequency L2	uint32	0.01 Hz
0x08	Min. supply network frequency L3	uint32	0.01 Hz
CON_ID	Measure Select = Frequency	Data type	Scaling
0x00	Supply network frequency L1	uint32	0.01°
0x01	Supply network frequency L2	uint32	0.01°
0x02	Supply network frequency L3	uint32	0.01°

8. Parameter Data

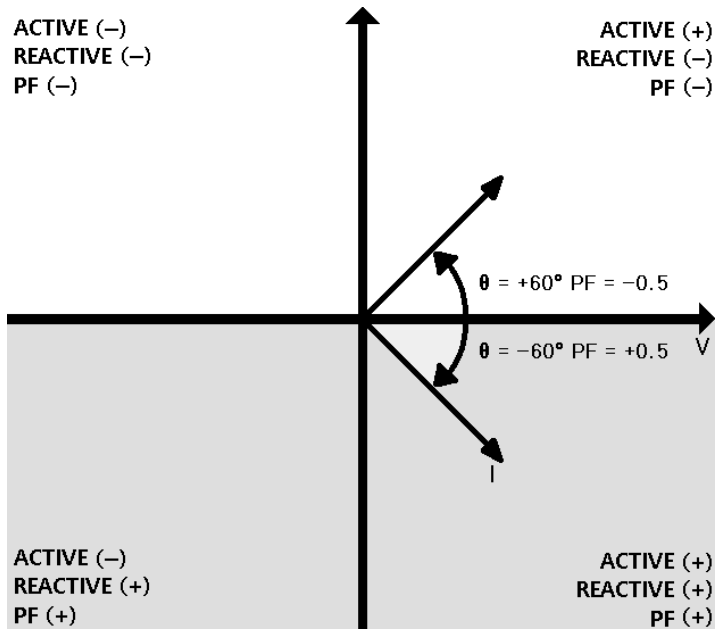
Valid Parameter length: 5 Bytes

	Bit#7	Bit#6	Bit#5	Bit#4	Bit#3	Bit#2	Bit#1	Bit#0
Byte#0	CT sensor 1 : x							
	Value for the current transformer ratio divisor							
Byte#1	Bit#7	Bit#6	Bit#5	Bit#4	Bit#3	Bit#2	Bit#1	Bit#0
	Frequency	Scaling for energy values			CT sensor 1 : x			
	0 = 45 - 55 Hz	0 = 1m Wh/VARh/VAh			Value for the current transformer ratio divisor			
	1 = 55 - 65 Hz	1 = 0.01 Wh/VARh/VAh						
		2 = 0.1 Wh/VARh/VAh						
		3 = 1 Wh/VARh/VAh						
		4 = 0.01k Wh/VARh/VAh						
		5 = 0.1k Wh/VARh/VAh						
	6 = 1k Wh/VARh/VAh							
	7 = Reserved							
Byte#2	Bit#7	Bit#6	Bit#5	Bit#4	Bit#3	Bit#2	Bit#1	Bit#0
	Overvoltage threshold Lx (value) resolution 0.2 V							
	Overvoltage threshold = 250 V + value * 0.2 V (max. 300 V)							
Byte#3	Bit#7	Bit#6	Bit#5	Bit#4	Bit#3	Bit#2	Bit#1	Bit#0
	Undervoltage threshold Lx (value) resolution 0.5 V							
	Undervoltage threshold = 0 V + value * 0.5 V (max. 125 V)							
Byte#4	Bit#7	Bit#6	Bit#5	Bit#4	Bit#3	Bit#2	Bit#1	Bit#0
	Overcurrent threshold Lx (value) Resolution 2 mA							
	Overcurent threshold = 0.8 A + value * 0.002 A (max. 1.3 A)							



NOTE

Set frequency to get the correct power factor and energy.



NOTE

The reactive power measurement is negative when the load is capacitive, and when the load is inductive. The sign of the reactive power can therefore be used to reflect the sign of the power factor.

Power factor = (Sign fundamental reactive power) * (abs (Active power)) / Apparent power)

Example of setting

Read data: Phase1 RMS Voltage / RMS Current / Apparent power / Active power.

Input value: 220 V, 1000 A, PF 0.5.

Parameter: CT 1: 1000, input frequency 55-65 Hz, overvoltage threshold 260 V, other is Default(0).

Overvoltage threshold = (260 V (user setting value) - 250 V (default setting value)) / 0.2 V.

Resolution: 0.2 V.

Overcurrent threshold = 1000 A (user setting CT 1: 1000) = ((1 A (user setting value) - 0.8 (default setting value)) / 0.001) * 1000 (CT). Resolution: 0.001 A.

All of default value is 0.

1. Set the Parameter.

Parameter	Value
CT sensor 1 : x (12 bit)	001111101000 (bit) Set CT 1000
Scaling for energy values (3 bit)	000 (bit) Set 1m Wh/VARh/VAh
Frequency (1 bit)	1 (bit) Set 55-65 Hz
Overvoltage threshold Lx (8 bit)	00110010 (bit) Set 260 V
Undervoltage threshold Lx (8 bit)	00000000 (bit) Set 0 V (default)
Overcurrent threshold Lx(8 bit)	00000000 (bit) Set 0.8 A (default)
All of parameter	E8 83 32 00 00 (Byte hex)

2. Set the Control byte (see chapter [Output image value](#)).

	Bit#7	Bit#6	Bit#5	Bit#4	Bit#3	Bit#2	Bit#1	Bit#0
Control byte #0	RES	Measure select (Voltage)			CON_ID (RMS voltage L1-N)			
	0	0	0	0	0	0	0	0
Control byte #1	Reserved	Measure select (Current)			CON_ID (RMS current L1-N)			
	0	0	0	1	0	0	0	0
Control byte #2	Reserved	Measure select (Power)			CON_ID (Apparent power L1)			
	0	0	0	1	0	0	0	0
Control byte #3	Reserved	Measure select (Power)			CON_ID (Active power L1)			
	0	0	0	1	0	0	1	1

3. Check the Status byte. When Status byte and Control byte are the same, the Process value is updated.

	Bit#7	Bit#6	Bit#5	Bit#4	Bit#3	Bit#2	Bit#1	Bit#0
Status byte #0	RES	Measure select (Voltage)			CON_ID (RMS voltage L1-N)			
	0	0	0	0	0	0	0	0
Status byte #0	Reserved	Measure select (Current)			CON_ID (RMS current L1-N)			
	0	0	0	1	0	0	0	0
Status byte #0	Reserved	Measure select (Power)			CON_ID (Apparent power L1)			
	0	0	0	1	0	0	0	0
Status byte #0	Reserved	Measure select (Power)			CON_ID (Active power L1)			
	0	0	0	1	0	0	1	1

4. Check the Process value.

Process value#0 (RMS Voltage)	000055F0(Dword hex) 22000(Dec) 220 V
Process value#1 (RMS Current)	000F4240(Dword hex) 1000000(Dec) 1000 A
Process value#2 (Apparent power)	014FB180(Dword hex) 22000000(Dec) 220 kVA
Process value#3 (Active power)	00A7D8C0(Dword hex) 11000000(Dec) 110 kW

9. Hardware Setup



CAUTION

- Always read this section before installing the module!
- **Hot surface!** The surface of the housing can become hot during operation. If the module is used in high ambient temperatures, always let it cool down before touching it.
- Working on energized devices can damage the equipment! Always turn off the power supply before working on the module.

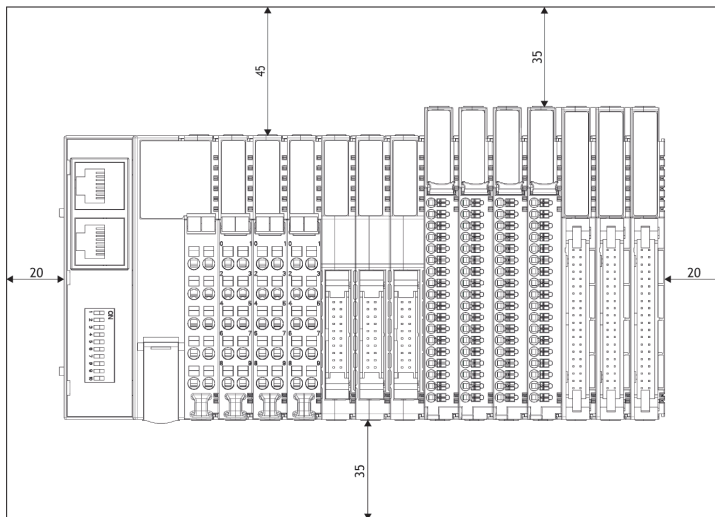
9.1. Space Requirements

The following drawings show the space requirements when installing the G-series modules. The spacing creates space for ventilation, and prevents conducted electromagnetic interference from influencing the operation. Installation position is valid vertical and horizontal. The drawings are illustrative and may be out of proportion.

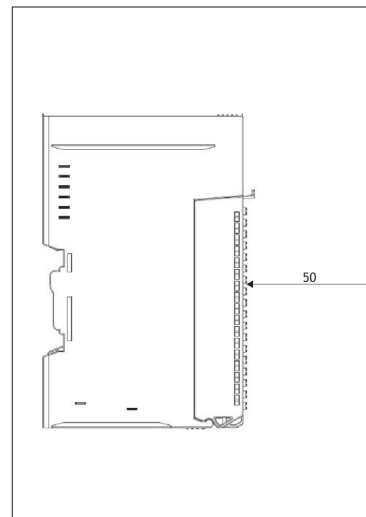


CAUTION

Not following the space requirements may result in damaging the product.



Vertical and horizontal space requirements



Required distance to door

9.2. Mount Module to DIN Rail

The following chapters describe how to mount the module to the DIN rail.



CAUTION

The module must be fixed to the DIN rail with the locking levers.

9.2.1. Mount GL-9XXX or GT-XXXX Module

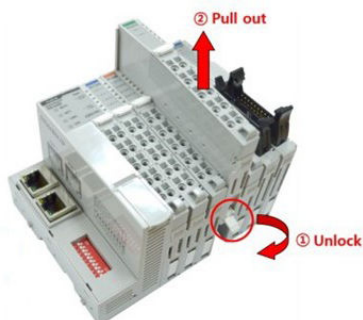
The following instructions apply to these module types:

- GL-9XXX
- GT-1XXX
- GT-2XXX
- GT-3XXX
- GT-4XXX
- GT-5XXX
- GT-7XXX

GN-9XXX modules have three locking levers, one at the bottom and two on the side. For mounting instructions, refer to [Mount GN-9XXX Module](#).



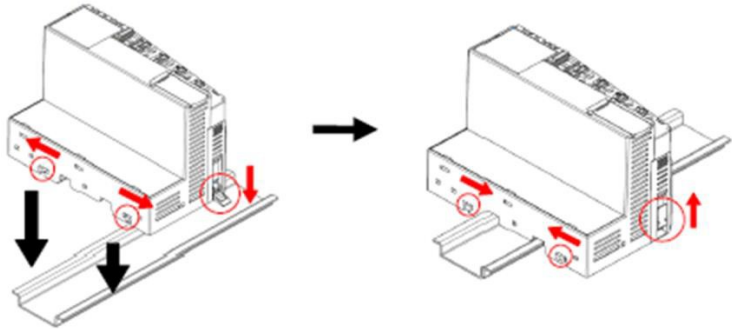
Mount to DIN rail



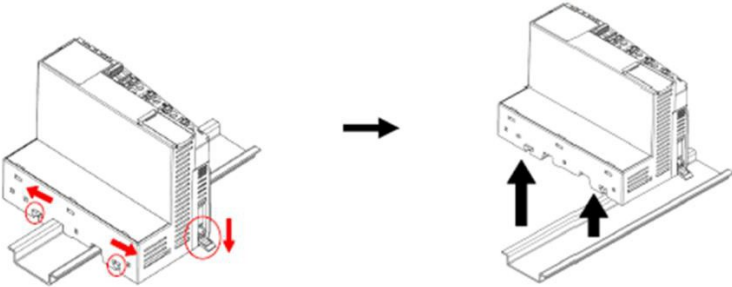
Dismount from DIN rail

9.2.2. Mount GN-9XXX Module

To mount or dismount a network adapter or programmable IO module with the product name GN-9XXX, for example GN-9251 or GN-9371, see the following instructions:



Mount to DIN rail



Dismount from DIN rail